



ROAMEO

Rugged Observation Assistance Mobile Electronic Officer

Rad is thrilled to add the first mobile security robot to its existing line of stationary robots - ROAMEO, our Rugged Observation Assistance Mobile Electronic Officer.

Durable enough to handle just about any site and equipped with smart tools to aid you in protecting and enhancing your property. ROAMEO includes RAD's advanced Human and Vehicle Detection analytics. Seamless integration to the full-featured RAD software suite which includes RADSOC, RADPMC, RADSight and RADGuard.

The RAD ecosystem of functions is now mobile and loaded onto a rugged long-lasting intelligent platform! ROAMEO is suitable to patrol on any typical surface including uneven or cracked asphalt or concrete, crushed rock up to 10" diameter, grass, dirt and snow.

Advanced technologies for ROAMEO will be rolled out throughout the year and phase 1 customers will receive special custom software development. If you're in the RAD ecosystem, this is a perfect companion solution.

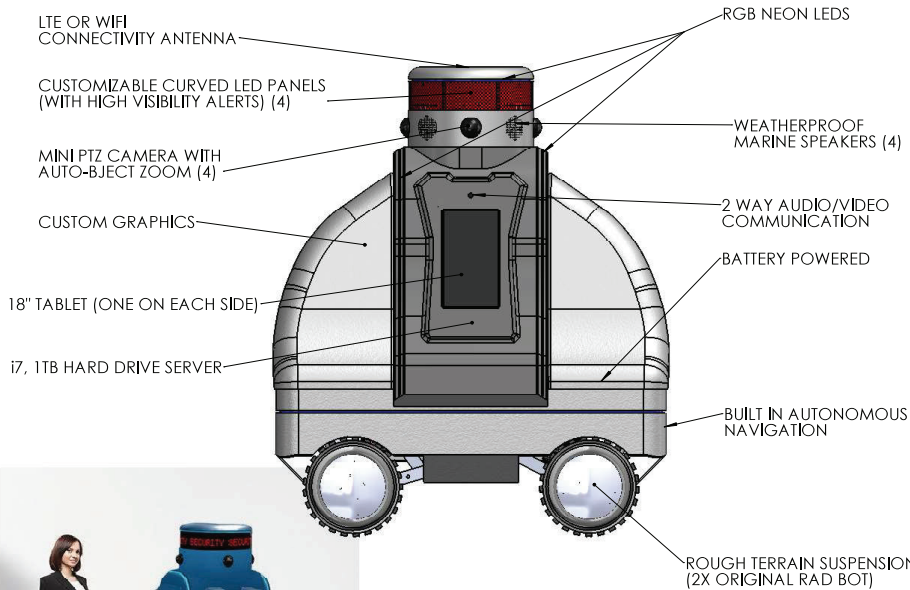
- Cellular and WiFi connectivity
- 2 cameras providing a full 180° field of view
- Over-the-air software updates
- Customizable informational display that can feature text, images, and video
- High visibility RGB LEDs
- MAC Tracker™ capabilities through BOLO Technologies
- Human detection analytics with SuspectSpotter™
- License plate recognition with LicenseSpotter™
- 24/7 equipment monitoring from RAD through the Remote Monitoring Center
- Long-range audio paging
- Credential validation and access control
- Close-range video intercom
- 2 large 18" tablets (1 per side) featuring security and concierge services, PLUS video conferencing with the SOC or guards in the field
- Security | Help | Panic button
- RAD's exclusive Face Mask Detection System available as part of RAD's Health Screening Option



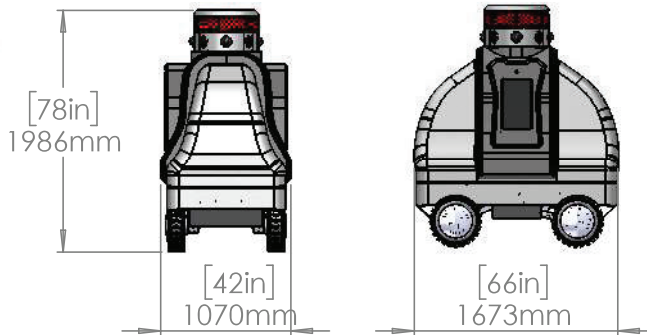
1-877-78-ROBOT

ROAMEO

Technical Information



RAD software supports GDPR erasure requirements.



INITIAL RELEASE	CAPABILITIES	FUTURE DEVELOPMENT
SPEED: UP TO 5KM/H (3.1MPH) TERRAIN: PAVEMENT/CRUSHED ROCK NAVIGATION: VARIABLE PATH FOLLOWING, GO-TO-PIN MANUAL CONTROL OBSTACLE AVOIDANCE: YES DRIVETRAIN: 2WD LIMITED COMMUNICATIONS DENIED CAPABILITY: NO RETURN TO HOME TO CHARGE: MANUAL CHARGING TIME: 9HRS RUNNING TIME: <8HRS	SPEED: UP TO 12KM/H (7.5MPH) TERRAIN: EXTREME ROUGH NAVIGATION: AI ENHANCED AND COORDINATED OBSTACLE AVOIDANCE: YES DRIVETRAIN: 2WD/4WD GPS DENIED MODE: YES (VISION BASED) LIMITED COMMUNICATIONS DENIED CAPABILITY: YES RETURN TO HOME TO CHARGE: AUTONOMOUS CHARGING: 6HRS RUNNING TIME: <16HRS	SPEED: UP TO 12KM/H (7.5MPH) TERRAIN: EXTREME ROUGH NAVIGATION: AI ENHANCED AND COORDINATED OBSTACLE AVOIDANCE: YES DRIVETRAIN: 2WD/4WD GPS DENIED MODE: YES (VISION BASED) LIMITED COMMUNICATIONS DENIED CAPABILITY: YES RETURN TO HOME TO CHARGE: AUTONOMOUS CHARGING: 6HRS RUNNING TIME: <16HRS

PLUGS INTO THE RAD SOFTWARE SUITE FOR FULL COMPATIBILITY WITH YOUR RAD UNIVERSE

COMMUNICATION PROTOCOLS:

Standard - Cellular (no IT requirements)	Bandwidth requirements (range based on activity of each unit): 5mbps
Fair or better AT&T signal required	Data Retention (summary - addition details available upon request):
Verizon optional (extra cost)	-Full frame/high quality video: Approximately 15 days onboard
Optional (no cost) - client WiFi	-Detection events: 1 year
IT Requirements as follows:	-User activity: 1 year
-Inbound TCP connection: No ports need to be opened	-Setup details: Until deleted/modified
-Outbound TCP Connections: 80, 443, 4445, 5938, 8822-8825	
If UDP: 5938	

RAD software supports GDPR erasure requirements.



Available From



TITAN SECURITY TECHNOLOGIES

808-845-2074

www.TitanSecurityTechnologies.com